



# UCG 65

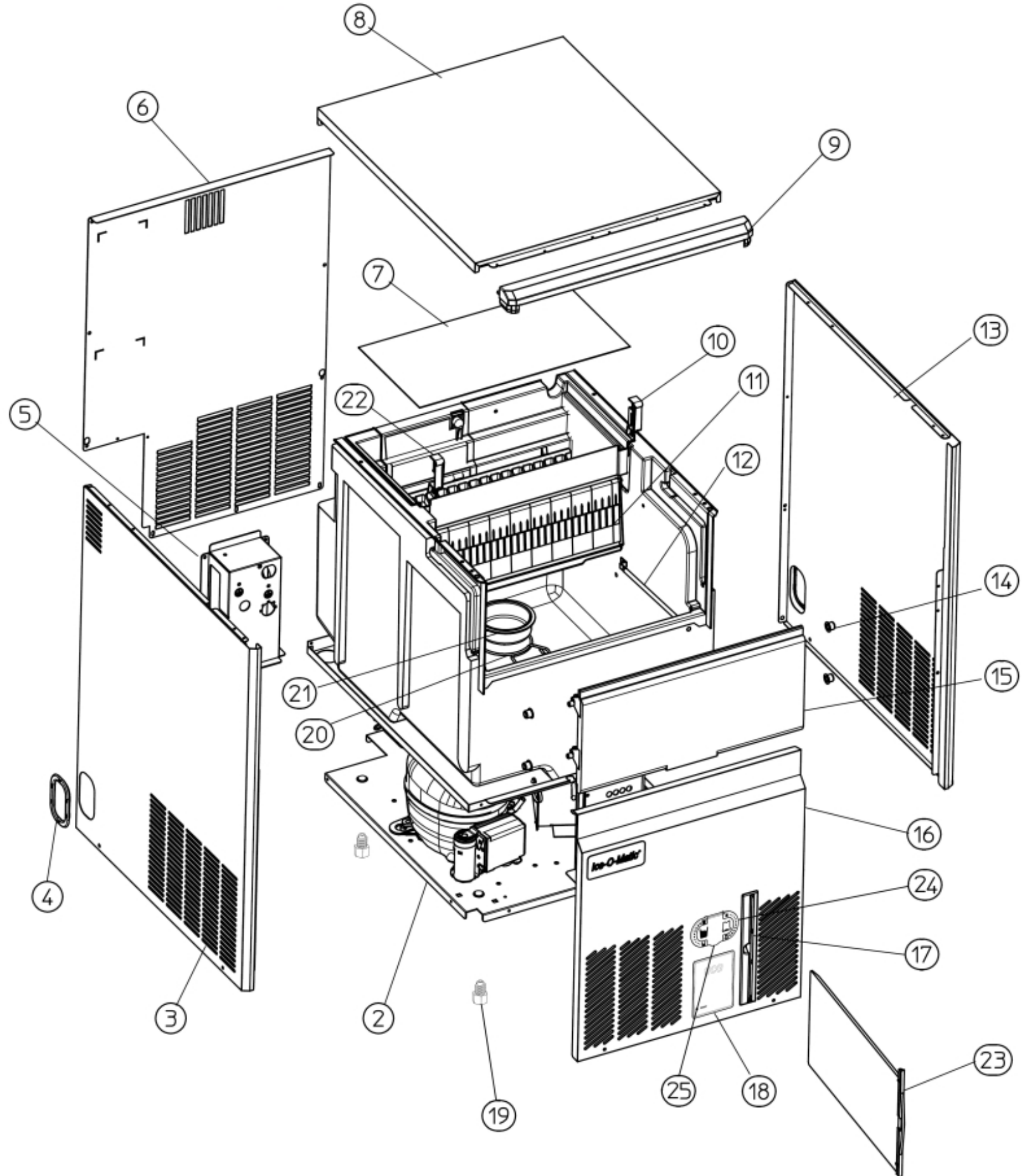
## SPARE PARTS LIST

**R134a version**

**ICE-O-Matic  
11100 East 45th Ave  
Denver, Colorado 80239**

**REV. 05/2021**

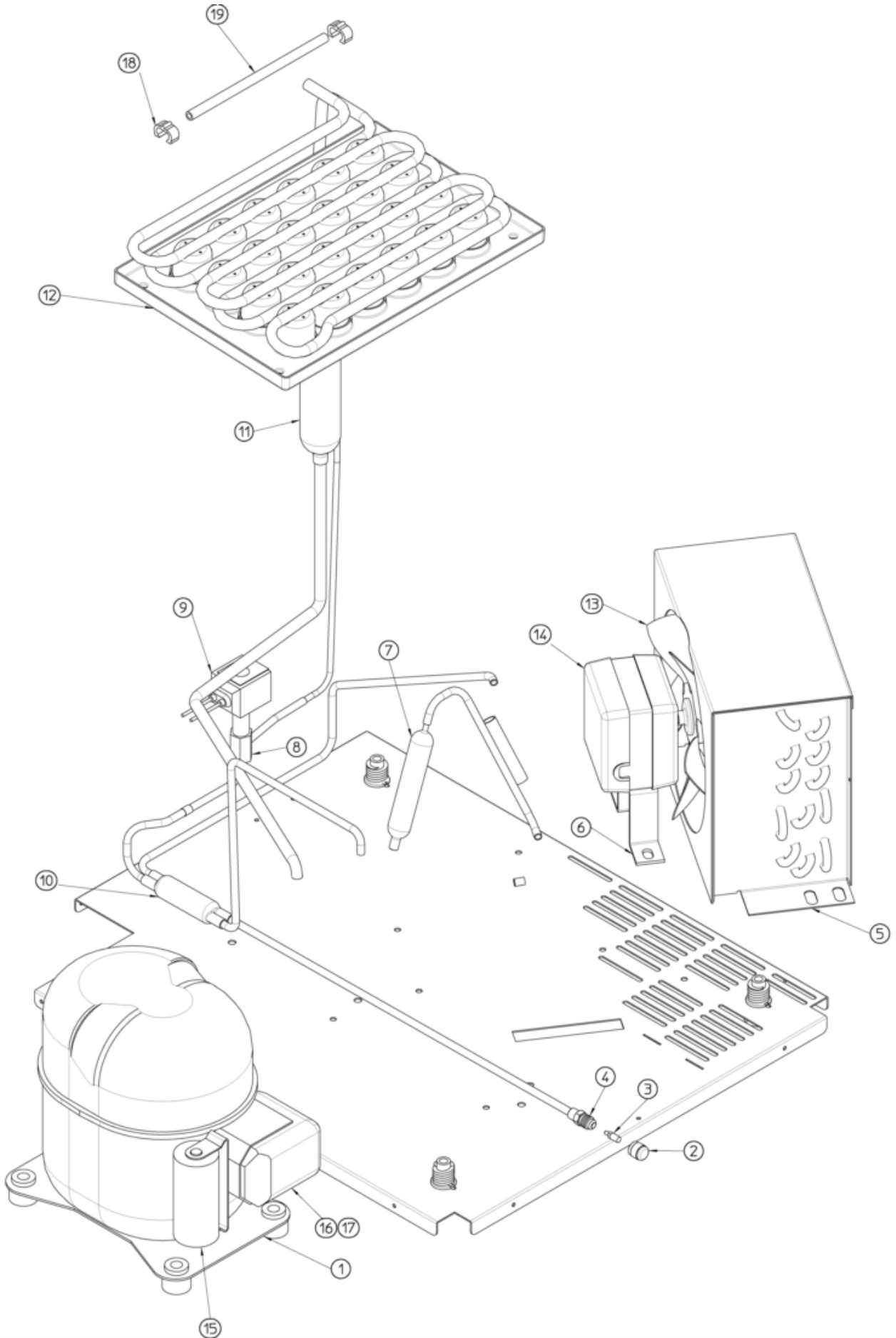
- 1 UNIT PANELS
- 2 REFRIGERANT SYSTEM – AIR COOLED
- 3 REFRIGERANT SYSTEM – WATER COOLED5
- 4 WATER SYSTEM
- 5 CONTROL BOX



**UNIT PANELS**

Pos	Code	Description
2	SC704420 00	BASE
3	SC726035 00	LEFT SIDE PANEL
4	SC661070 00	PLASTIC PROTECTION
5	SC702705 00	WATER HOOK UP PANEL
6	SC702674 00	REAR PANEL
7	SC742033 04	EVAPORATOR COVER
8	SC726036 00	TOP PANEL ASSY
9	SC661252 00	FRONT TRIM
10	SC660388 0	CURTAIN BRACKET (RIGHT)
11	SC784457 20R	CURTAIN ASSY
12	SC732017 00	BULB HOLDER
13	SC726034 00	RIGHT SIDE PANEL
14	SC660286 00	BUSHING
15	SC661220 02	GRAY DOOR RAL 7075
16	SC726042 00	FRONT PANEL-AIR COOLED VERSION
16	SC726042 01	FRONT PANEL-WATER COOLED VERSION
17	SC660804 03	AIR FILTER SEAT
18	SC651774 00	LABEL
19	SC650382 01	LEG
20	SC460047 00	SPRING
21	SC660741 00	PLASTIC PLUG
22	SC660388 01	CURTAIN BRACKET (LEFT)
23	SC660805 04	AIR FILTER
24	SC661092 07	PLASTIC HOUSING
25	SC661092 07	PLASTIC COVER

# REFRIGERANT SYSTEM – AIR COOLED

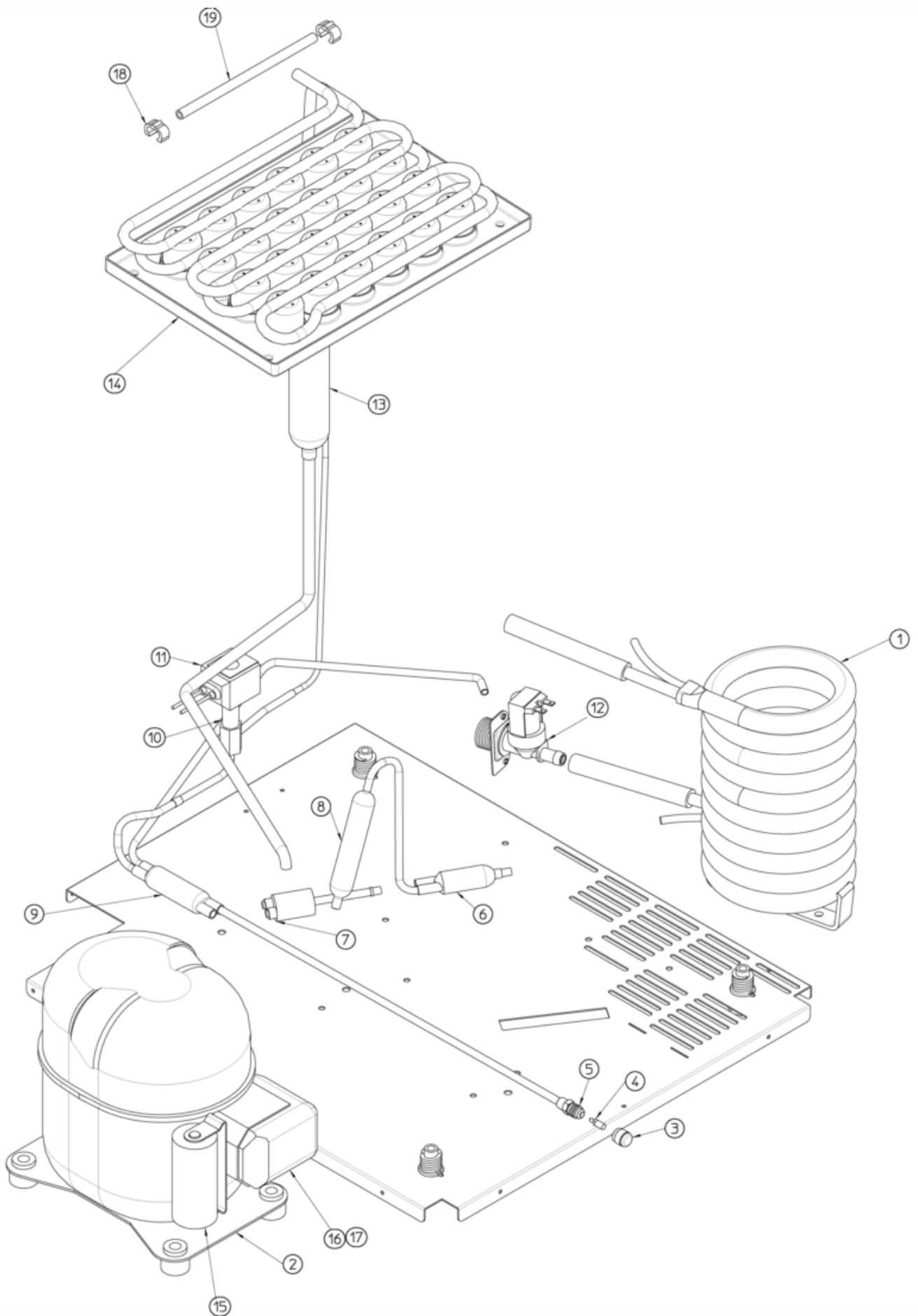




## REFRIGERANT SYSTEM – AIR COOLED

Pos	Code	Description
1	SC670100 00	COMPRESSOR
2	SC650106 00	CAP
3	SC670012 00	VALVE CORE
4	SC650109 00	VALVE BODY
5	SC620544 00	CONDENSER, AIR
6	SC620419 61	BRACKET, MOTOR - USE SC620419 69
7	SC630003 05	DRIER
8	SC620306 27	HOT GAS VALVE BODY
9	SC620306 48	HOT GAS VALVE COIL
10	SC630137 00	FILTER
11	SC784444 37	SUCTION LINE ASSY
12	SC784615 01	EVAPORATOR ASSY
13	SC620419 39	BLADE
14	SC620419 02	FAN MOTOR ATEX
15	SC670167 29	START CAPACITOR
16	SC620057 31	RELAY
17	SC620478 03	PROTECTOR
18	SC660386 00	SPRING
19	SC741114 01R	BULB HOLDER

# REFRIGERANT SYSTEM – WATER COOLED



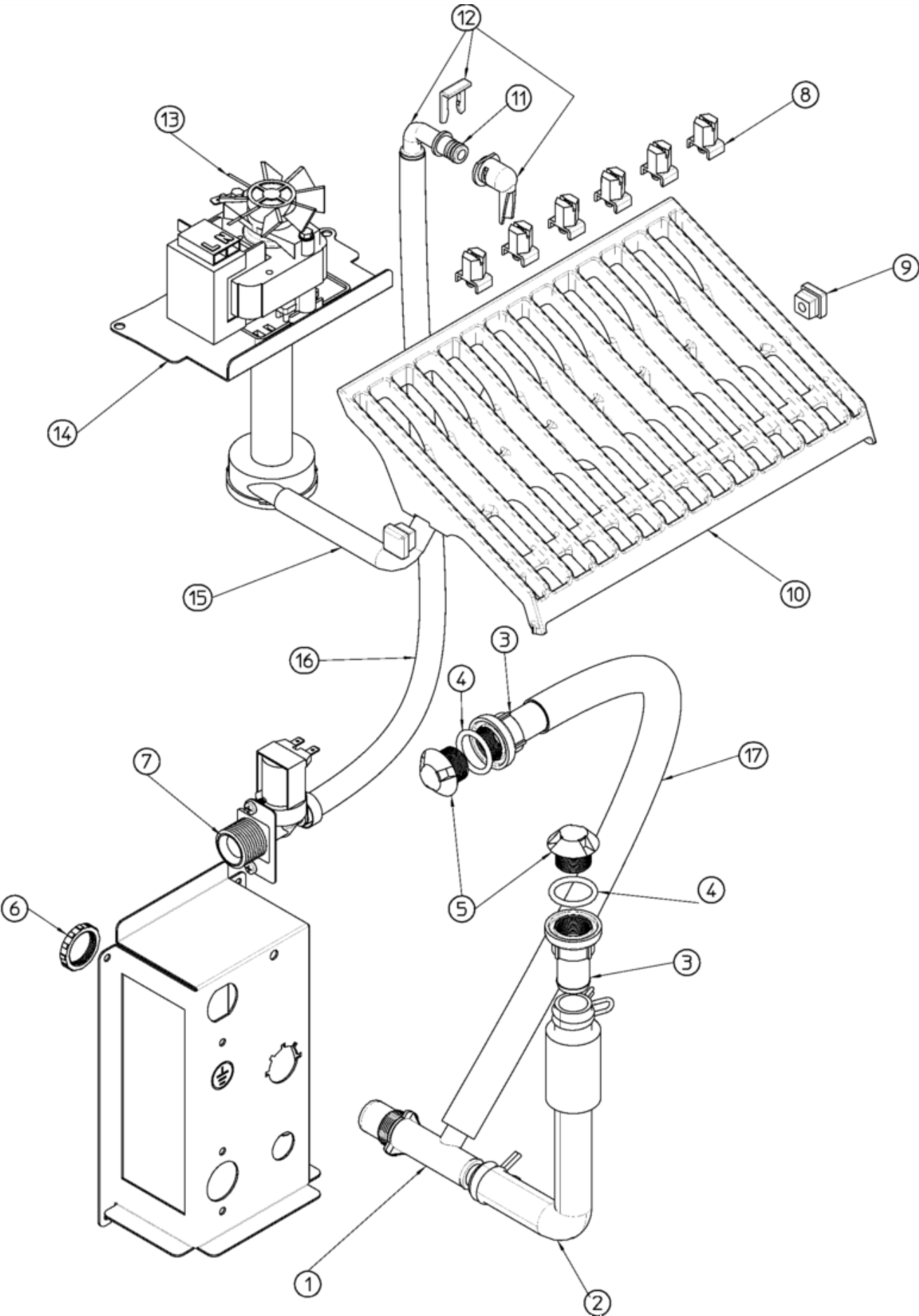


## REFRIGERANT SYSTEM – WATER COOLED

Pos	Code	Description
1	SC620389 00	WATER COOLED CONDENSER
2	SC670100 00	COMPRESSOR
3	SC650106 00	CAP
4	SC670012 00	VALVE CORE
5	SC650109 00	VALVE BODY
6	SC630020 01	STRAINER
7	SC620075 00	PRESSOSTAT
8	SC630003 05	DRIER
9	SC630137 00	FILTER
10	SC620306 27	HOT GAS VALVE BODY
11	SC620306 48	HOT GAS VALVE COIL
12	SC650105 65	WATER INLET VALVE
13	SC784444 37	SUCTION LINE ASSY
14	SC784615 01	EVAPORATOR ASSY
15	SC670167 29	START CAPACITOR
16	SC620057 31	RELAY
17	SC620478 03	PROTECTOR
18	SC660386 00	SPRING
19	SC741114 01R	BULB HOLDER



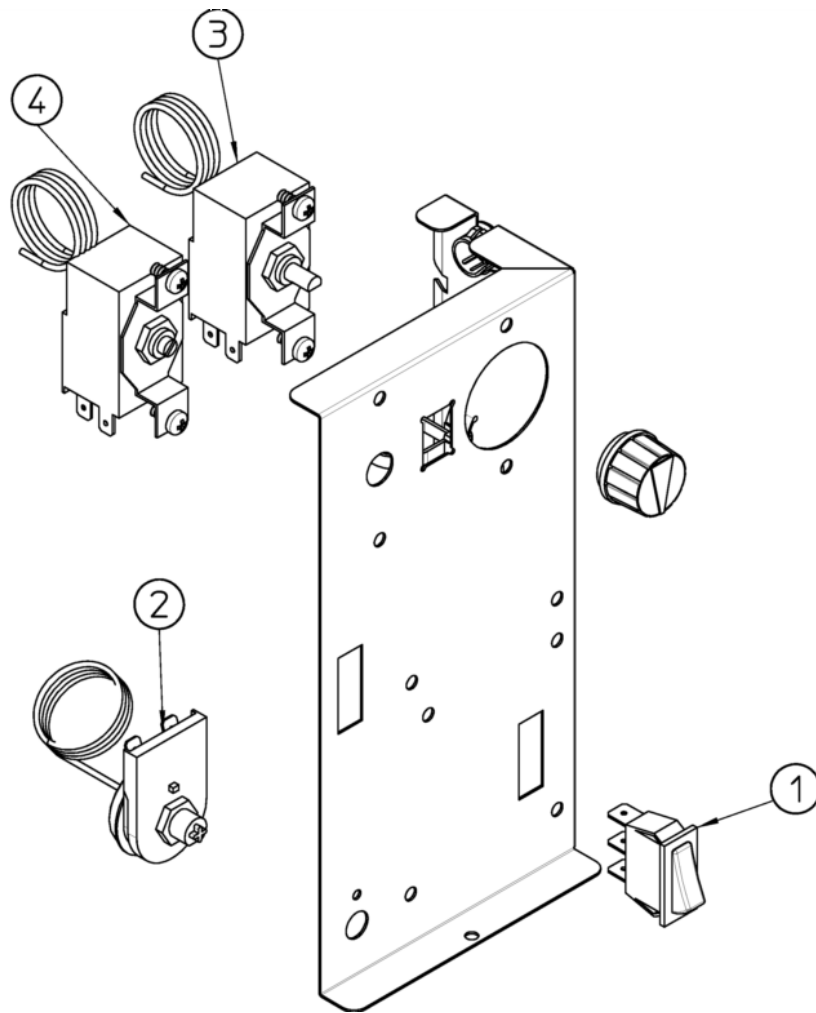
**WATER SYSTEM**



**WATER SYSTEM**

Pos	Code	Description
1	SC660224 00	TEE TUBE
1	SC660993 00	FITTING
2	SC610148 10	TUBE
3	SC660219 02	DRAIN FITTING
4	SC640134 00	O RING
5	SC660211 01	DRAIN FILTER
6	SC660535 00	PLASTIC NUT
7	SC650105 65	WATER INLET VALVE
8	SC660558 00R	SPRAY NOZZLE (10 PCS)
9	SC660557 00	SPRAY CUP
10	SC661082 00	SPRAY BAR & CHUTE
11	SC640041 31	O RING OR 2031 (WRAS-FDA)
12	SC793172 00R	WATER INLET ASSY
13	SC620423 01R	WATER PUMP 230/50/1
14	SC724485 00	METAL BRACKET
15	SC610204 01	WATER TUBE
16	SC281900 01	TUBE 16X10
17	SC610204 00	TUBE

# CONTROL BOX





## CONTROL BOX

Pos	Code	Description
1	SC620442 01	SWITCH
2	SC620599 00	SAFETY THERMOSTAT
3	SC620264 06	KNOB
3	SC620264 16	EVAPORATOR THERMOSTAT
4	SC630005 00	BIN THERMOSTAT